



# Rechargeable Lithium Coin Cell - ML 1220

- Low self-discharge
- Long shelf life
- UN 38.3 tested
- Wide assortment of mounting options and wire terminals available



RoHS compliant



Pb free



REACH compliant

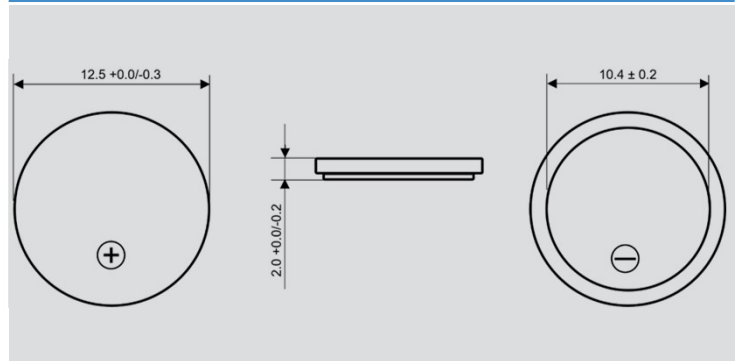


Conflict mineral free

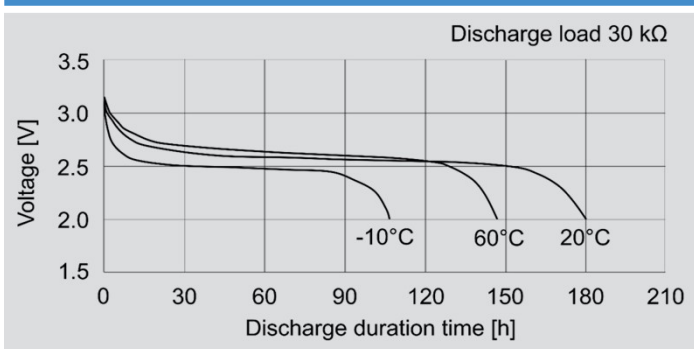
## SPECIFICATIONS

Jauch part number	252290
Nominal Voltage	3V
Nominal Capacity	18 mAh
Standard Load	30 kΩ
Nominal Discharge Current	0.1 mA
Nominal Charge Current	1 mA
Operating Temperature	-20°C to +70°C
Weight	Approx. 0.8 g

## DIMENSIONS [mm]



## DISCHARGE CHARACTERISTICS



## DISCHARGE CHARACTERISTICS

