



Lithium Cylindrical Cell - CR 123AE Energy Type

- Low self-discharge
- Long shelf life
- UN 38.3 tested
- Wide assortment of mounting options and wire terminals available



RoHS compliant



Pb free



REACH compliant



Conflict mineral free

SPECIFICATIONS

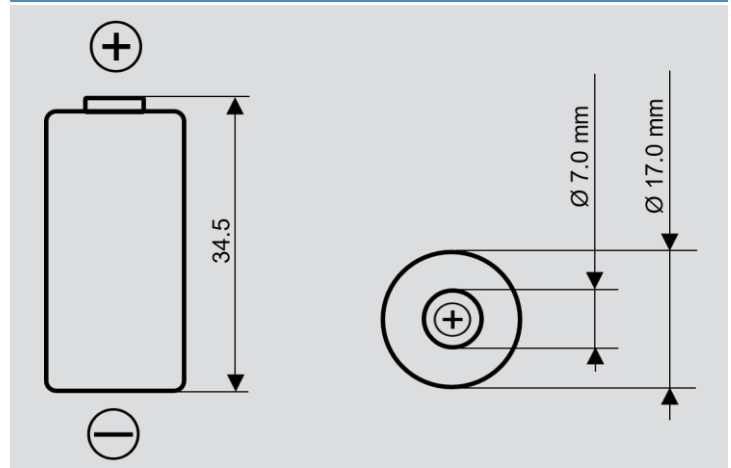
Jauch part number	252583
Nominal Voltage	3V
Nominal Capacity ^{*1}	1500 mAh
Max. Continuous Current ^{*2}	1000 mA
Standard Current	20 mA
Max. Pulse Current ^{*3}	2000 mA
Operating Temperature	-40°C to +70°C
Weight	Approx. 17 g
Chemistry	Li/MnO ₂
UL1642	MH62838

^{*1} Nominal capacity is determined at an end voltage of 2.0V when the battery is allowed to discharge at a standard current level at 23°C.

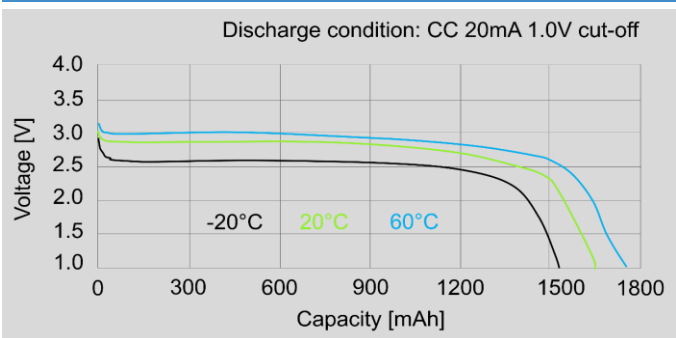
^{*2} Current value is determined to be the level at which 50% of the nominal capacity is obtained with an end voltage of 1.0V at +23°C.

^{*3} Current value for obtaining 1.0V cell voltage when pulse is applied for 3s at 50% discharge depth at +23°C.

DIMENSIONS [mm]



DISCHARGE CHARACTERISTICS



PULSE DISCHARGE CHARACTERISTICS

