



# Lithium Cylindrical Cell - CR 17335AH Extended Lifespan

- Low self-discharge
- Long shelf life
- UN 38.3 tested
- Wide assortment of mounting options and wire terminals available



RoHS compliant



Pb free



REACH compliant



Conflict mineral free

## SPECIFICATIONS

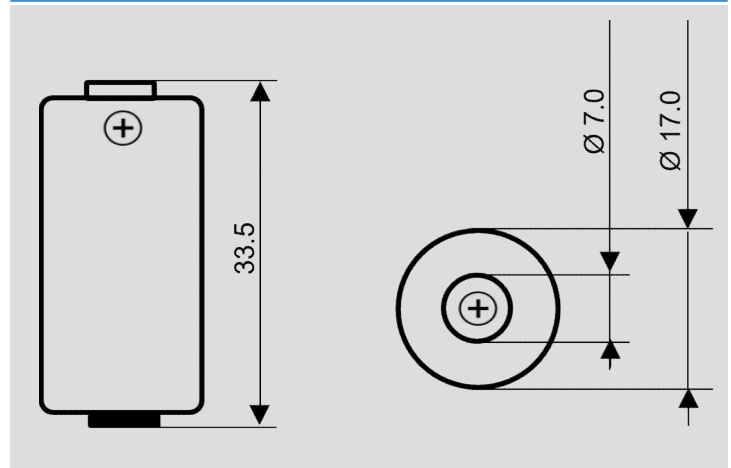
Jauch part number	251679
Nominal Voltage	3V
Nominal Capacity* <sup>1</sup>	1600 mAh
Max. Continuous Current* <sup>2</sup>	700 mA
Standard Current	5 mA
Max. Pulse Current* <sup>3</sup>	2000 mA
Operating Temperature	-40°C to +85°C
Weight	Approx. 17 g
Chemistry	Li/MnO <sub>2</sub>
UL1642	MH62838

\*1 Nominal capacity is determined at an end voltage of 2.0V when the battery is allowed to discharge at a standard current level at 23°C.

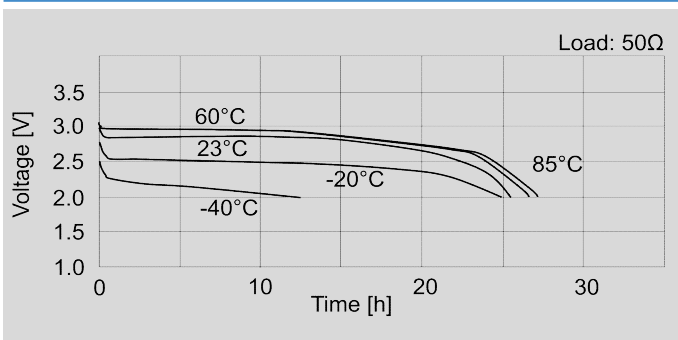
\*2 Current value is determined to be the level at with 50% of the nominal capacity is obtained with an end voltage of 1.0V at +23°C.

\*3 Current value for obtaining 1.0V cell voltage when pulse is applied for 3s at 50% discharge depth at +23°C.

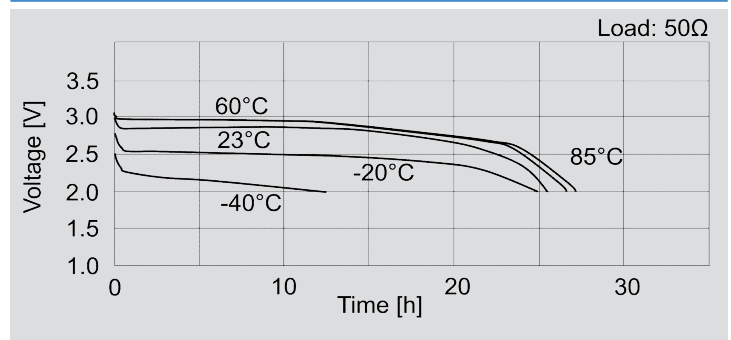
## DIMENSIONS [mm]



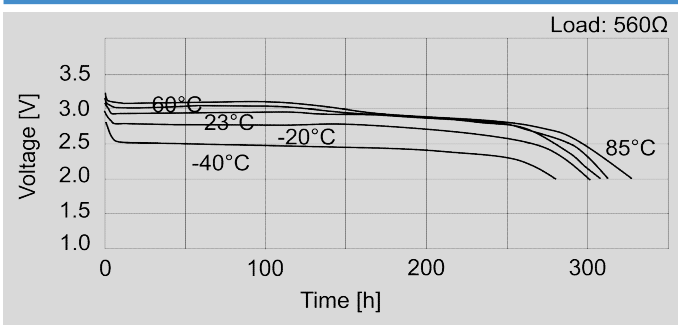
## TEMPERATURE CHARACTERISTICS



## TEMPERATURE CHARACTERISTICS



## TEMPERATURE CHARACTERISTICS



## CCV cs. DIR

