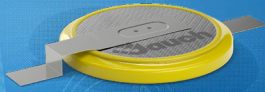


Lithium Coin Cell - CR 1620 SM



- Low self-discharge
- Long shelf life
- UN 38.3 tested
- Wide assortment of mounting options and wire terminals available



RoHS compliant



Pb free



REACH compliant



Conflict mineral free

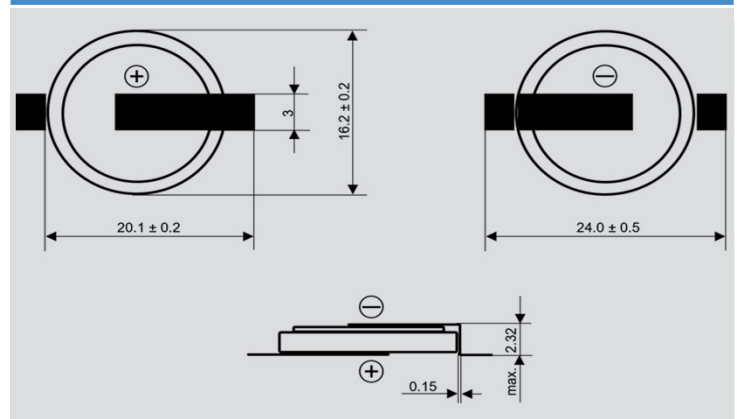
SPECIFICATIONS

Jauch part number	252197
Nominal Voltage	3V
Nominal Capacity	75 mAh
Standard Load	47 kΩ
Standard Current	0.1 mA
Max. Continuous Current	0.65 mA
Max. Pulse Current	8 mA
Operating Temperature	-30°C to +85°C *
Weight	Approx. 1.25 g
Chemistry	Li/MnO ₂

Note: Lithium batteries are not suitable for reflow soldering processes

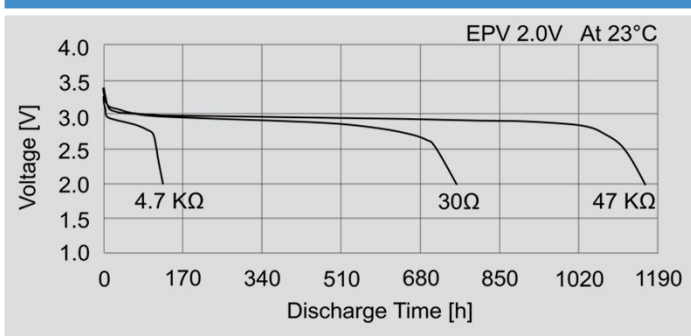
Note: Capacity 75mAh is obtained at standard cc load to 2.0V at 23°C.

DIMENSIONS [mm]

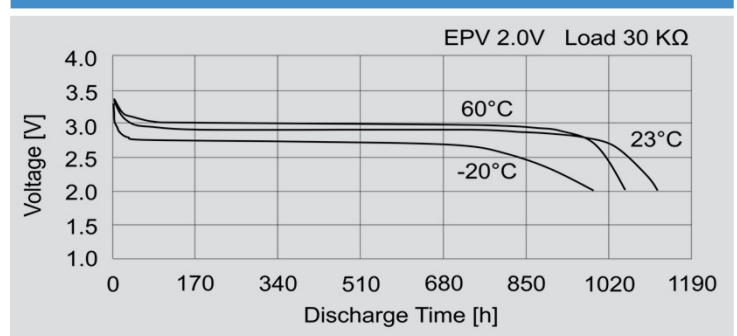


* In applications where the battery is exposed to temperatures >60°C, please contact Jauch.

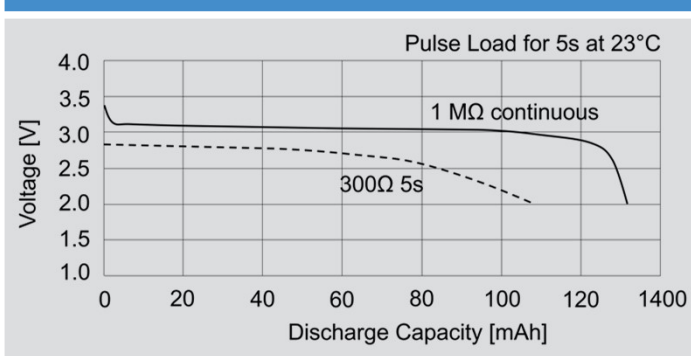
DISCHARGE CHARACTERISTICS



TEMPERATURE CHARACTERISTICS



DISCHARGE CHARACTERISTICS



LOAD VS: CAPACITY

