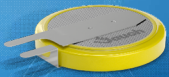


Lithium Coin Cell - CR 1220 V2



- Low self-discharge
- Long shelf life
- UN 38.3 tested
- Wide assortment of mounting options and wire terminals available



RoHS compliant



Pb free



REACH compliant



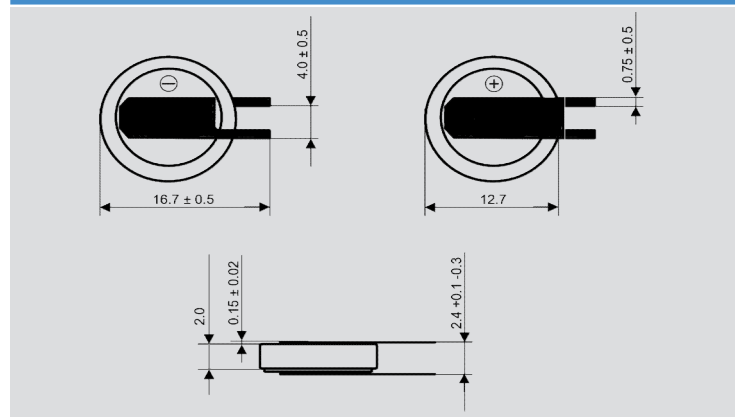
Conflict mineral free

SPECIFICATIONS

Jauch part number	248902
Nominal Voltage	3V
Nominal Capacity	40 mAh
Standard Load	62 kΩ
Standard Current	0.05 mA
Max. Continuous Current	0.5 mA
Max. Pulse Current	5 mA
Operating Temperature	-30°C to +85°C *
Weight	Approx. 0.75 g
Chemistry	Li/MnO ₂

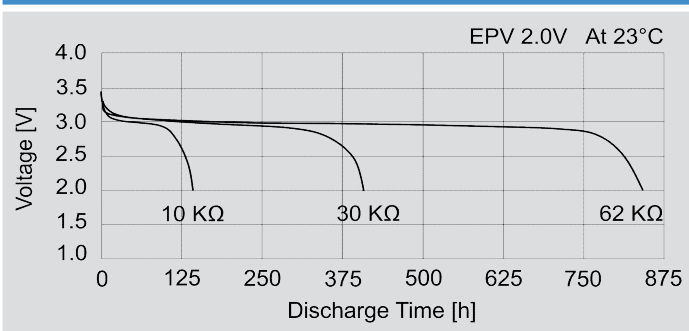
Note: Capacity 40 mAh is obtained at standard cc load to 2.0V at 23°C.

DIMENSIONS [mm]

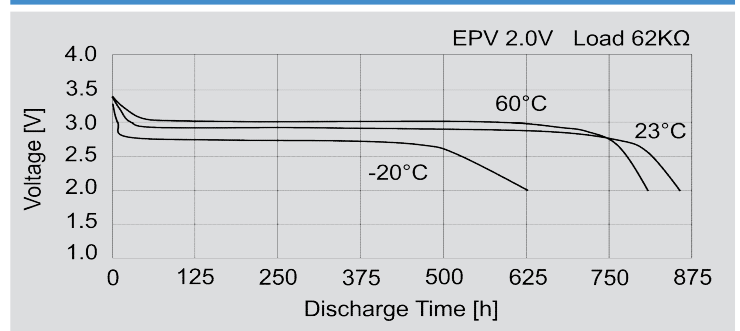


* In applications where the battery is exposed to temperatures >60°C, please contact Jauch.

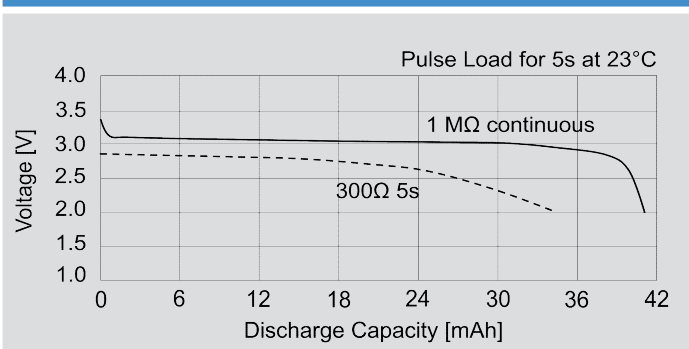
DISCHARGE CHARACTERISTICS



TEMPERATURE CHARACTERISTICS



DISCHARGE CHARACTERISTICS



LOAD VS: CAPACITY

