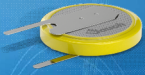


# Lithium Coin Cell - CR 1025 V2



- Low self-discharge
- Long shelf life
- UN 38.3 tested
- Wide assortment of mounting options and wire terminals available



RoHS compliant



Pb free



REACH compliant



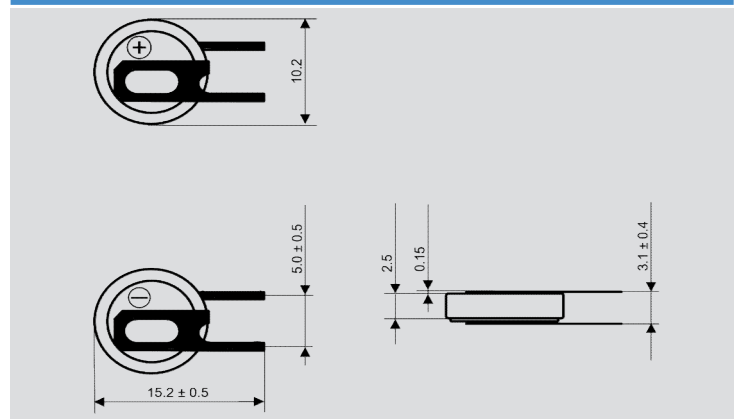
Conflict mineral free

## SPECIFICATIONS

Jauch part number	247642
Nominal Voltage	3V
Nominal Capacity	30 mAh
Standard Load	68 kΩ
Standard Current	0.05 mA
Max. Continuous Current	0.3 mA
Max. Pulse Current	5 mA
Operating Temperature	-30°C to +85°C *
Weight	Approx. 0.55 g
Chemistry	Li/MnO <sub>2</sub>

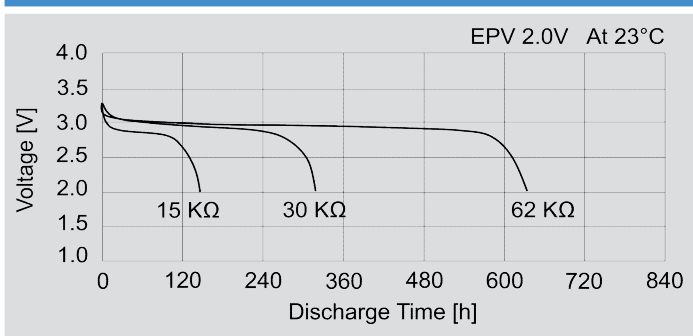
Note: Capacity 30 mAh is obtained at standard cc load to 2.0V at 23°C.

## DIMENSIONS [mm]

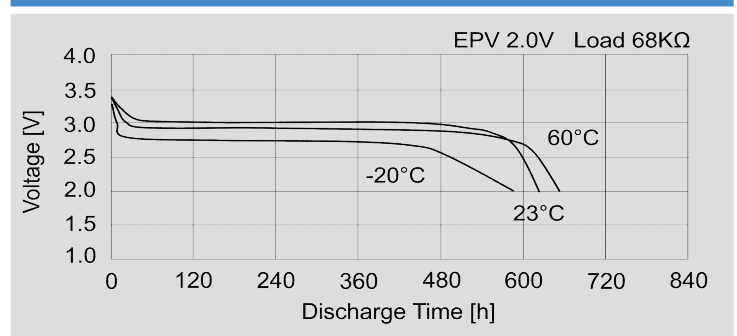


\* In applications where the battery is exposed to temperatures >60°C, please contact Jauch.

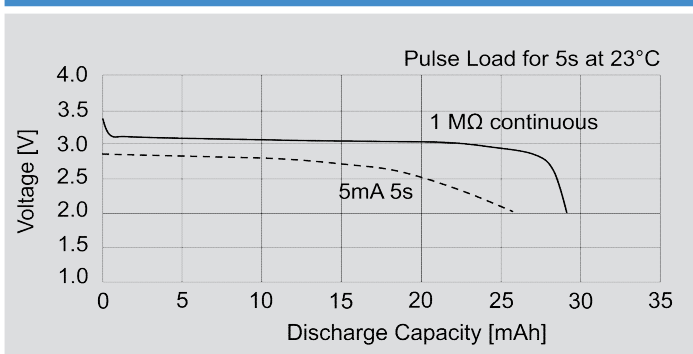
## DISCHARGE CHARACTERISTICS



## TEMPERATURE CHARACTERISTICS



## DISCHARGE CHARACTERISTICS



## LOAD VS: CAPACITY

