

1. PART NO. EXPRESSION :

S M C 1 0 0 7 R 1 7 L A F
 (a) (b) (c) (d)(e)(f)

(a) Series code

(b) Dimension code

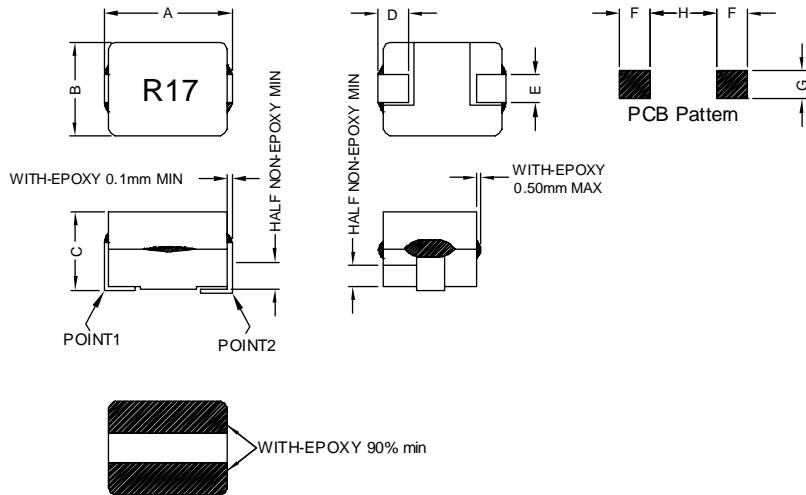
(c) Inductance code : R17 = 0.17uH

(d) Tolerance code : L = ± 15%

(e) A : Special Products

(f) F : RoHS Compliant

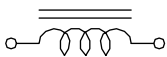
2. CONFIGURATION & DIMENSIONS :



Unit : mm

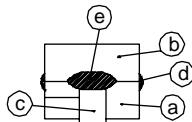
| A | B | C | D | E | F | G | H |
|------------|-----------|------------|------------|------------|-----------|-----------|-----------|
| 10.40 Max. | 8.00 Max. | 7.30± 0.30 | 2.54± 0.30 | 2.30± 0.20 | 3.29 Ref. | 2.79 Ref. | 4.32 Ref. |

3. SCHEMATIC :



4. MATERIALS :

- a) Core
- b) Core
- c) Clip
- d) Adhesive
- e) Adhesive



RoHS Compliant

NOTE : Specifications subject to change without notice. Please check our website for latest information.

05.01.2015



SUPERWORLD ELECTRONICS (S) PTE LTD

5. GENERAL SPECIFICATION :

- a) Temp. Rise : 40°C Max. at I_{rms}
- b) $\Delta L / L_{0A}$: 30% Typ. at I_{sat}
- c) Operating Temperature : -40° C ---+125° C
- d) Storage condition (component in its packaging)
 - i) Temperature : -10 to 40° C
 - ii) Humidity : 60%

6. ELECTRICAL CHARACTERISTICS :

| Part Number | Inductance (μ H) | Test Frequency (Hz) | DC Resistance ($m\Omega$) $\pm 10\%$ | I _{rms} (A) | I _{sat} (A) |
|---------------|---------------------------|-----------------------------|--|---------------------------|---------------------------|
| SMC1007R17LAF | 0.17 \pm 15% | 1V/100K | 0.29 | 61 | 60 |
| SMC1007R22KAF | 0.215 \pm 10% | 1V/100K | 0.29 | 61 | 44 |



RoHS Compliant

NOTE : Specifications subject to change without notice. Please check our website for latest information.

05.01.2015

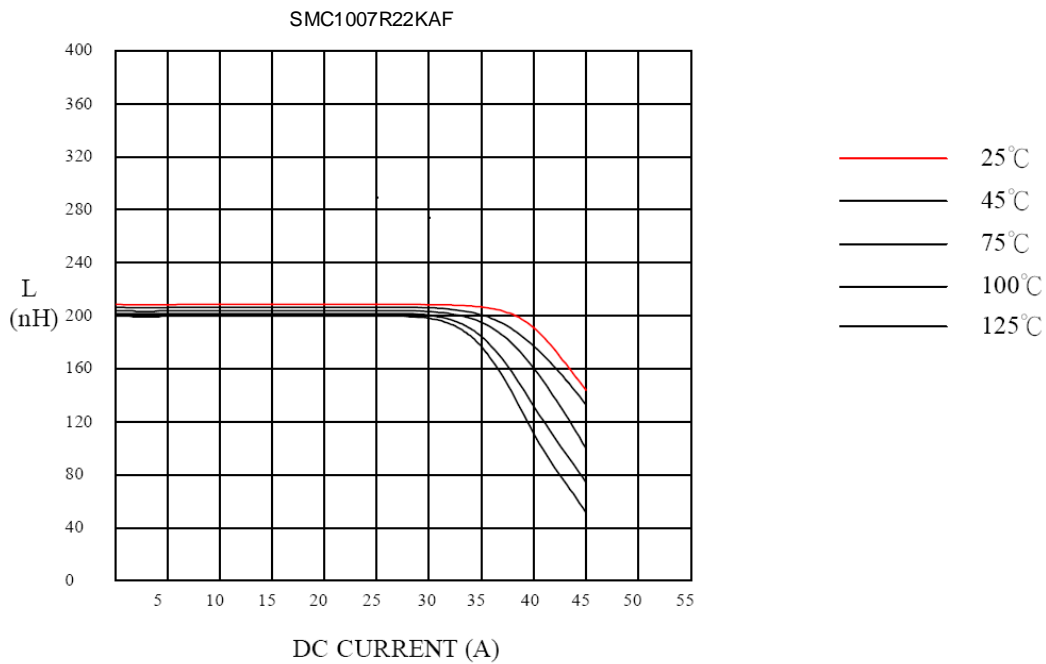
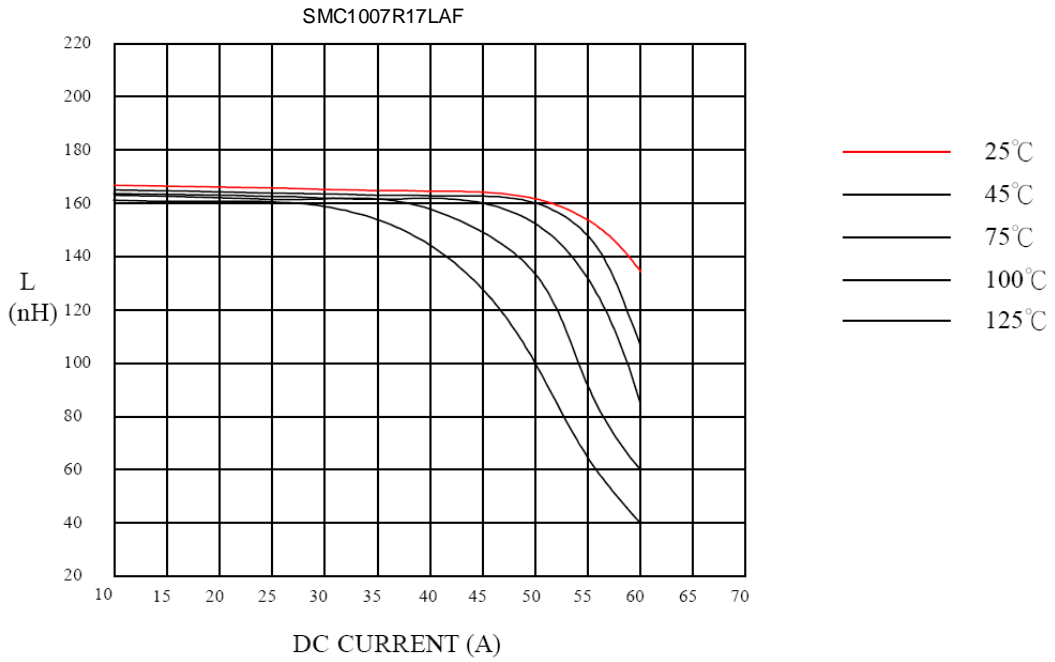


SUPERWORLD ELECTRONICS (S) PTE LTD

PG. 2

7. CHARACTERISTICS CURVES :

@ INDUCTANCE VS. DC SUPERPOSITION RESPONSE CURVE



RoHS Compliant

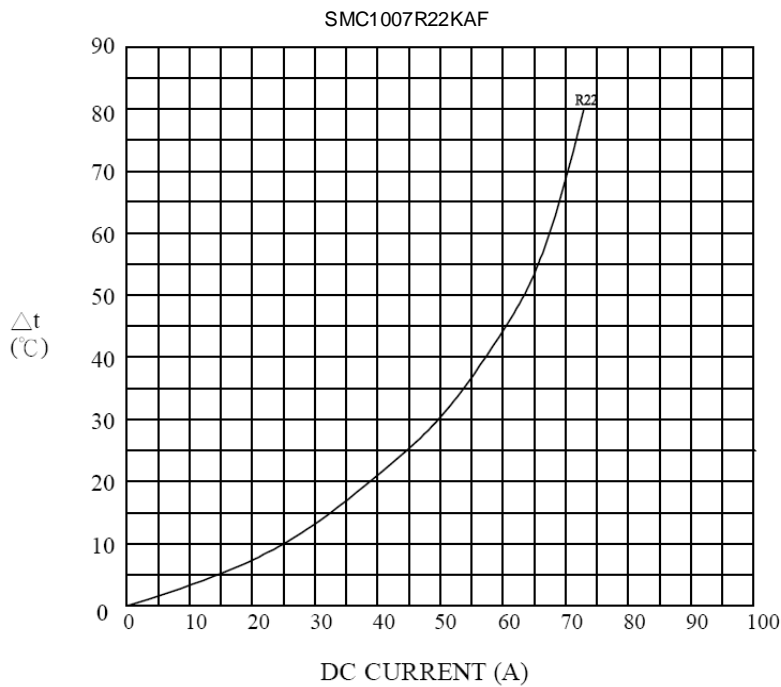
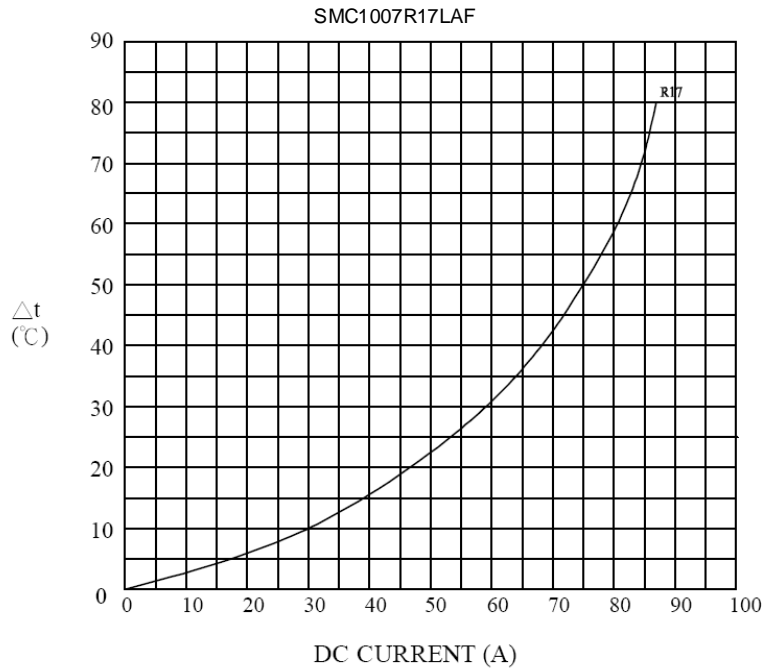
NOTE : Specifications subject to change without notice. Please check our website for latest information.

05.01.2015



SUPERWORLD ELECTRONICS (S) PTE LTD

@ TEMP. RISE VS. DC SUPERPOSITION RESPONSE CURVE



RoHS Compliant

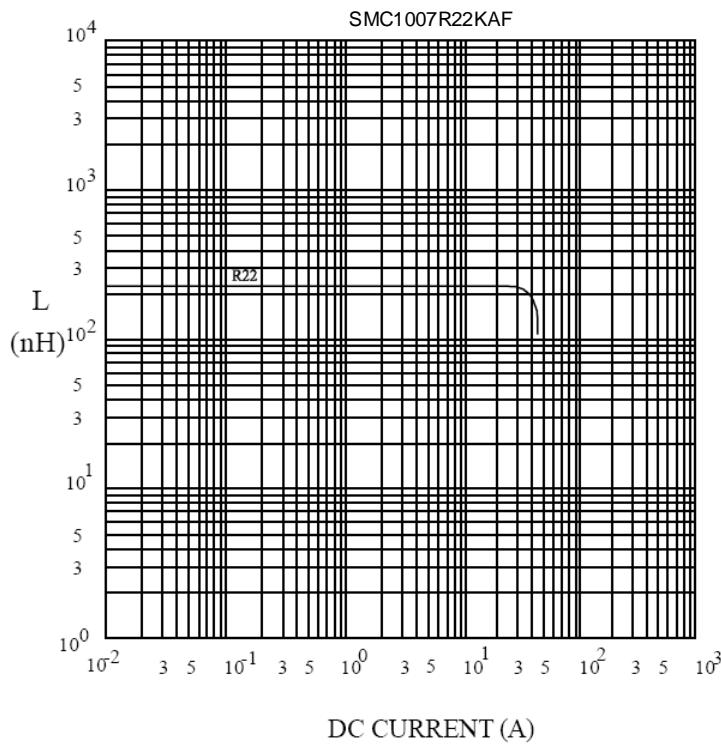
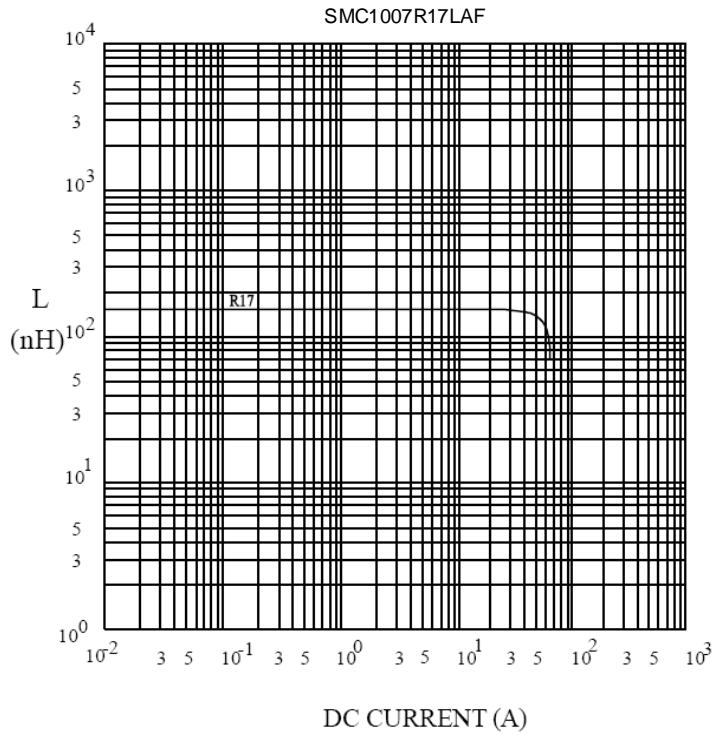
NOTE : Specifications subject to change without notice. Please check our website for latest information.

05.01.2015



SUPERWORLD ELECTRONICS (S) PTE LTD

@ INDUCTANCE VS. DC SUPERPOSITION RESPONSE CURVE



NOTE : Specifications subject to change without notice. Please check our website for latest information.



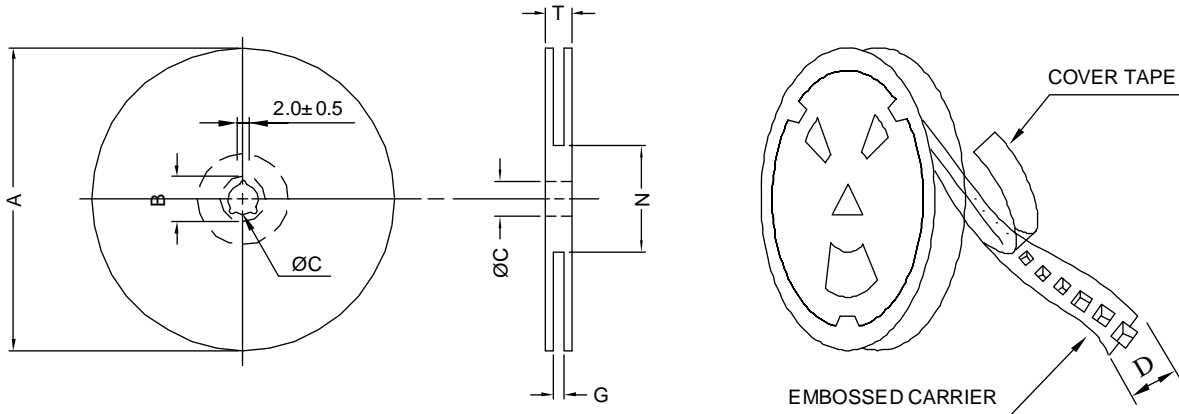
RoHS Compliant

05.01.2015

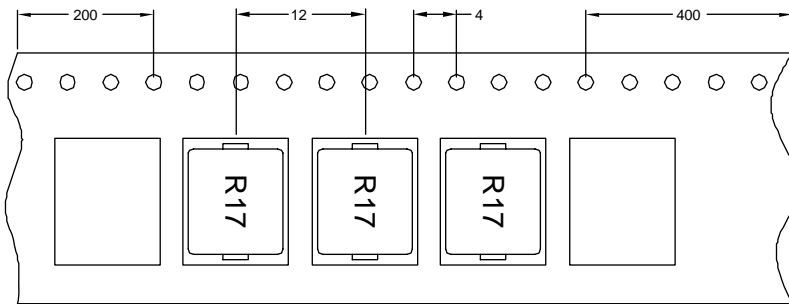


8. PACKAGING INFORMATION :

(1) CONFIGURATION



* CARRIER TAPE WIDTH : D



(2) DIMENSIONS

Unit:m/m

| STYLE | A | B | C | D | G | N | T |
|-------|-----|--------|--------|----|------------------|------------------|------|
| 13-24 | 330 | 21±0.8 | 13±0.5 | 24 | 26 ⁺⁰ | 50 ⁻⁰ | 30.4 |

(3) QTY & G.W. PER PACKAGE

| SERIES | INNER : REEL | | | OUTER : CARTON | | |
|---------|--------------|-----------|-------|----------------|-----------|----------------|
| | QTY (PCS) | G.W. (gw) | STYLE | QTY (PCS) | G.W. (Kg) | SIZE (cm) |
| SMC1007 | 500 | 1575 | 13-24 | 2000 | 7.3 | 38 x 36.5 x 21 |



RoHS Compliant

NOTE : Specifications subject to change without notice. Please check our website for latest information.

05.01.2015



SUPERWORLD ELECTRONICS (S) PTE LTD