



actual size

Oscillator JO21 · 2.5 V

- SMD Oscillator with Stop Function · 2.0 x 1.6 mm
- LVCMOS / HCMOS compatible output
- Low phase jitter, no PLL
- Flat seam sealed ceramic/metal package



RoHS compliant



Pb free



REACH compliant



Conflict mineral free

GENERAL DATA

TYPE		JO21 2.5 V
frequency range	1.6250 ~ 54.0 MHz	
frequency stability over all*	± 25 ppm ~ ± 100 ppm	
	see table 1	
current consumption	see table 2	
supply voltage V_{DC}	2.5 V ± 10%	
temperature	operating	see table 1
	storage	-55 °C ~ +125 °C
output	rise & fall time	see table 3
	load max.	15 pF
	current max.	4.0 mA
	low level max.	0.4 V
	high level min.	$V_{DC} - 0.4$ V
output enable time max.	10 ms	
output disable time max.	200 ns	
start-up time max.	10 ms	
standby function	stop	
standby current max.	10 µA	
symmetry at 0.5 x V_{DC}	45% ~ 55% max.	

* includes stability at 25 °C, operating temp. range, supply voltage change, shock and vibration, aging 1st year.

TABLE 1: FREQUENCY STABILITY CODE

stability code	A ± 100 ppm	B ± 50 ppm	G ± 30 ppm	C ± 25 ppm
-20 °C ~ +70 °C		○	○	□
-40 °C ~ +85 °C	T1	○	○	
-40 °C ~ +105 °C	T2	○		

○ available □ excludes aging

TABLE 2: CURRENT CONSUMPTION MAX.

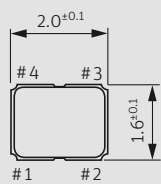
2.5 V: current at 15pF load:

1.625 ~ 19.9 MHz	4.0 mA
20.000 ~ 39.9 MHz	5.5 mA
40.000 ~ 54.0 MHz	9.0 mA

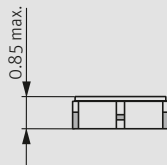
TABLE 3: RISE & FALL TIME MAX.

5 ns: 1.625 ~ 54.0 MHz	note: - specific data on request - rise time: 0.1 V_{DC} ~ 0.9 V_{DC} - fall time: 0.9 V_{DC} ~ 0.1 V_{DC}
------------------------	---

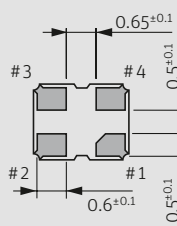
DIMENSIONS



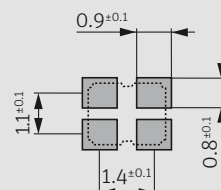
top view



side view



bottom view



pad layout

1: e/d
2: ground
3: output
4: V_{DC}

pin connection

in mm

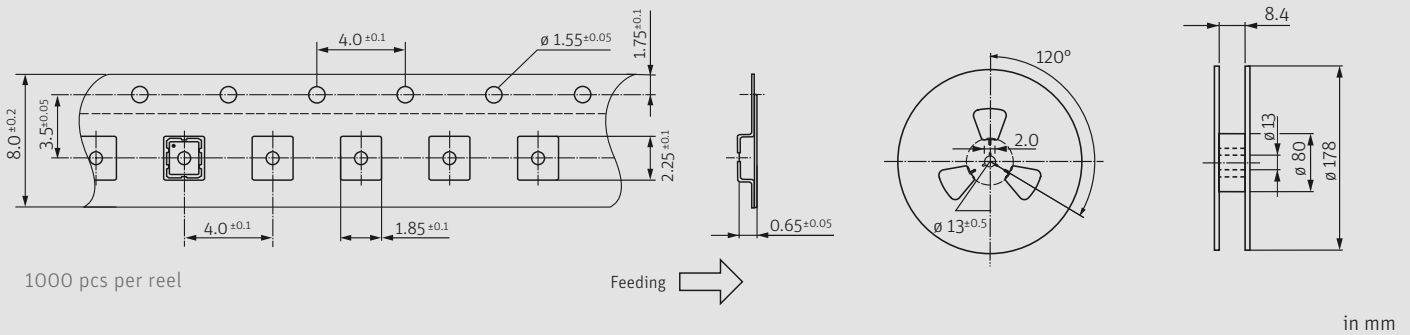
ORDER INFORMATION

0	frequency	type	frequency stability code	supply voltage code	output load code	option
Oscillator	1.625 ~ 54.0 MHz	JO21	see table 1	2.5 = 2.5 V	1 = 15 pF	blank = -20 °C ~ +70 °C T1 = -40 °C ~ +85 °C T2 = -40 °C ~ +105 °C

Example: 0 20.0-JO21-B-2.5-1-T1-LF (Suffix LF = RoHS compliant / Pb free)

Oscillator J021 · 2.5 V · Stop Function

TAPING SPECIFICATION



ENABLE / DISABLE FUNCTION

pin #1 (e/d control)	pin #3 (output)
open	active
high "1" ($V_{IH} \geq 0.7 V_{DC}$)	active
low "0" ($V_{IL} \leq 0.3 V_{DC}$)	high impedance

stop function:

- oscillator stops
- output high impedance

MARKING

frequency

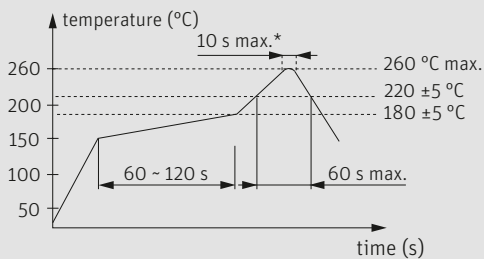
company stability code / data code

data code: A ~ M: Jan. - Dec.

7: 2017 8: 2018 9: 2019 0: 2020 1: 2021 2: 2022

Jan.	Febr.	Mar.	Apr.	May	June
A	B	C	D	E	F
July	Aug.	Sept.	Oct.	Nov.	Dec.
G	H	J	K	L	M

REFLOW SOLDERING PROFILE



note: parts are also suitable for soldering systems with lead (Pb) content

* hand soldering temperature should not exceed 280 °C

PACKAGING NOTE

- standard packing unit is 1000 pieces per reel
- non-multiple packing units are only supplied taped / bulk