



Oscillator JO53H · 2.5 V

- High Stability Oscillator with Stop Function · 5.0 x 3.2 mm
- Stability suitable for wireless application (Bluetooth, WiFi etc.)
- LVCMOS / HCMOS compatible output
- Low phase jitter, no PLL
- Seam sealed ceramic/metal package



RoHS compliant



Pb free



REACH compliant



Conflict mineral free

actual size

GENERAL DATA		JO53H 2.5 V
TYPE	JO53H 2.5 V	
frequency range	4.0 ~ 54.0 MHz	
frequency stability over all*	± 8 ppm ~ ± 13 ppm see table 1	
aging 1 st year	±2 ppm max.	
current consumption	7 mA max.	
supply voltage V _{DC}	2.5 V ± 10%	
temperature	operating	-20 °C ~ +70 °C / -40 °C ~ +85 °C
	storage	-40 °C ~ +85 °C
output	rise & fall time	see table 2
	load max.	15 pF
	current max.	4.0 mA
	low level max.	0.1 x V _{DC}
	high level min.	0.9 x V _{DC}
output enable time max.	1 ms	
output disable time max.	250 ns	
start-up time max.	2 ms	
standby function	stop	
standby current max.	5 µA	
phase jitter 12 kHz ~ 20.0 MHz	0.4 ps RMS typ.; 1.0 ps max.	
symmetry at 0.5 x V _{DC}	45% ~ 55% max.	

* includes stability at 25 °C, operating temp. range, supply voltage change, shock and vibration, aging 1st year.

TABLE 1: FREQUENCY STABILITY CODE				
stability code	K	F	H	
	± 13 ppm	±10 ppm	± 8 ppm	
-20 °C ~ +70 °C	○	○	○	
-40 °C ~ +85 °C	○	○	○	

○ available

TABLE 2: RISE & FALL TIME MAX.		
5 ns:	4.0 ~ 54.0 MHz	note: - specific data on request - rise time: 0.1 V _{DC} ~ 0.9 V _{DC} - fall time: 0.9 V _{DC} ~ 0.1 V _{DC}

ENABLE / DISABLE FUNCTION	
pin #1 (e/d control)	pin #3 (output)
open	active
high "1" (V _{IH} > 0.7 V _{DC})	active
low "0" (V _{IL} ≤ 0.3 V _{DC})	high impedance
stop function:	
• oscillator stops	
• output high impedance	

DIMENSIONS

top view side view bottom view pad layout pin connection in mm

1: e/d
2: ground
3: output
4: V_{DC}

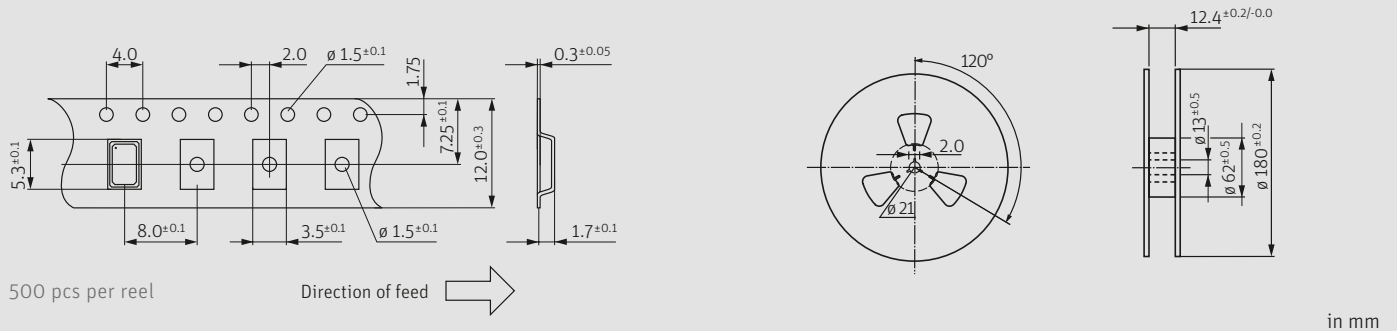
ORDER INFORMATION

0	frequency	type	frequency stability code	supply voltage code	output load code	option
Oscillator	4.0 ~ 54.0 MHz	JO53H	see table 1	2.5 = 2.5 V	1 = 15 pF	blank = -20 °C ~ +70 °C T1 = -40 °C ~ +85 °C

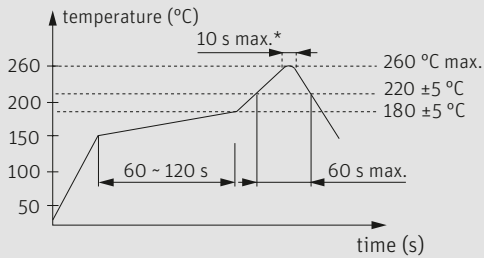
Example: 0 26.0-JO53H-F-2.5-1 (Suffix LF = RoHS compliant / Pb free)

Oscillator J053H · 2.5 V · High Stability

TAPING SPECIFICATION



REFLOW SOLDERING PROFILE



note: parts are also suitable for soldering systems with lead (Pb) content

MARKING

frequency

company tolerance / voltage data code

data code: A ~ M: Jan. - Dec.

7: 2017 8: 2018 9: 2019 0: 2020 1: 2021 2: 2022

Jan.	Febr.	Mar.	Apr.	May	June
A	B	C	D	E	F
July	Aug.	Sept.	Oct.	Nov.	Dec.
G	H	J	K	L	M

PACKAGING NOTE

- standard packing unit is 500 pieces per reel
- non-multiple packing units are only supplied taped / bulk