



actual size

SMD Quartz Crystal · JXS75

- 4 pad version, 7.2 x 5.0 mm
- EMI shielding possible by grounded lid
- reflow soldering temperature: 260 °C max.
- ceramic / metal package



RoHS compliant



Pb free



REACH compliant



Conflict mineral free

GENERAL DATA

TYPE	JXS75
frequency range	6.0 ~ 48.0 MHz (fund. AT-cut)
frequency tolerance at 25 °C	± 15 ppm / ± 20 ppm / ± 30 ppm
load capacitance C_L	12 pF standard (option 8 pF ~ 30 pF / series)
shunt capacitance C_0	< 7 pF
storage temperature	-40 °C ~ +85 °C / +125 °C
drive level max.	100 µW
aging	< ± 3 ppm first year

ESR (SERIES RESISTANCE RS)

frequency in MHz	vibration mode	ESR max. in Ω	ESR typ. in Ω
6.0 ~ 6.99	fund. - AT	80	30
7.0 ~ 9.99	fund. - AT	60	25
10.0 ~ 15.99	fund. - AT	40	25
16.0 ~ 21.99	fund. - AT	30	20
22.0 ~ 24.99	fund. - AT	30	15
25.0 ~ 54.00	fund. - AT	30	10

TABLE 1: FREQUENCY STABILITY VS. TEMPERATURE

		±20 ppm	±30 ppm	±50 ppm	±100 ppm
-20 °C ~ +70 °C	STD.	△	●	○	○
-40 °C ~ +85 °C	T1		●	○	○
-40 °C ~ +105 °C	T2*			△	△
-40 °C ~ +125 °C	T3*				△

● standard ○ available △ case-by-case, ask for availability

MARKING

frequency with load capacitance code
company code / date code / internal code

date code: year/month; A ~ M: Jan. - Dec.; example: 4A = 2024 January
4: 2024 5: 2025 6: 2026 7: 2027 8: 2028 9: 2029

Jan.	Febr.	Mar.	Apr.	May	June
A	B	C	D	E	F
July	Aug.	Sept.	Oct.	Nov.	Dec.
G	H	J	K	L	M

DIMENSIONS

top view side view bottom view pad layout in mm

#2-#4: connected to lid, preferably connect to GND crystal connection

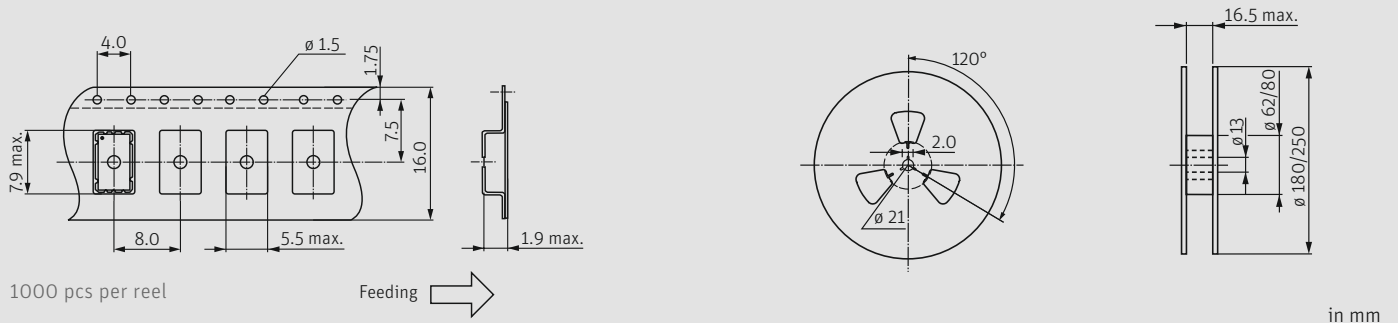
ORDER INFORMATION

Q	frequency	type	load capacitance	tolerance at 25 °C	stability vs. temp. range	option
Quartz	6.0 ~ 48.0 MHz	JXS75	12 pF standard 8 pF ~ 30 pF available S for series	15 = ± 15 ppm 20 = ± 20 ppm 30 = ± 30 ppm	20 = ± 20 ppm 30 = ± 30 ppm 50 = ± 50 ppm 100 = ± 100 ppm	blank = -20 °C ~ +70 °C T1 = -40 °C ~ +85 °C T2 = -40 °C ~ +105 °C T3 = -40 °C ~ +125 °C FU = for fundamental frequencies ≥ 20 MHz

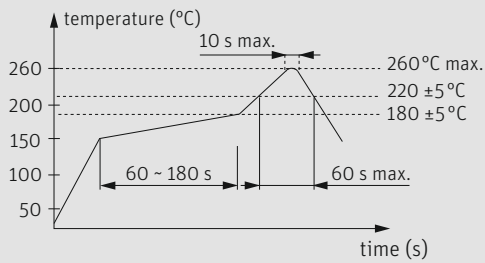
Example: Q 12.0-JXS75-12-30/30-T1-FU-LF (Suffix LF = RoHS compliant / Pb free)

SMD Quartz Crystal · JXS75

TAPING SPECIFICATION



REFLOW SOLDERING PROFILE



note: parts are also suitable for soldering systems with lead (Pb) content

LOAD CAPACITANCE CODES

8 pF: k	14 pF: x	22 pF: g	series: s
9 pF: n	15 pF: j	24 pF: d	
10 pF: h	16 pF: b	25 pF: r	
11 pF: l	17 pF: t	27 pF: w	
12 pF: a	18 pF: f	30 pF: .	
13 pF: v	20 pF: c		

example 20.0 MHz / 12 pF: 20a00