



Quartz Crystal · MQ1-SMC

- SMD Crystal Version, 11.7 x 7.8 mm
- automotive temperature range available
- reflow soldering temperature: 260 °C max.
- package height 3.6 mm max.



RoHS compliant



Pb free



REACH compliant



Conflict mineral free



actual size

GENERAL DATA

TYPE	MQ1 (UM-1-SMC)
frequency range	4.00 ~ 40.0 MHz (fund. AT-cut) 20.0 ~ 105.0 MHz (3rd OT AT-cut) 50.0 ~ 175.0 MHz (5th OT AT-cut) 70.0 ~ 250.0 MHz (7th OT AT-cut)
frequency tolerance at 25 °C	± 5 ppm ~ ± 30 ppm
load capacitance C_L	12 pF ~ 32 pF or series
shunt capacitance C_0	< 7 pF
storage temperature	-55 °C ~ +125 °C
drive level max.	500 µW (100 µW recommended)
aging	< ±3 ppm first year

ESR (SERIES RESISTANCE RS)

frequency in MHz	vibration mode	ESR max. in Ω	ESR typ. in Ω
4.00 ~ 4.9999	fund. - AT	150	80
5.00 ~ 9.9999	fund. - AT	80	40
10.0 ~ 14.999	fund. - AT	40	20
15.0 ~ 40.000	fund. - AT	30	15
20.0 ~ 49.999	3rd OT - AT	80	40
50.0 ~ 105.00	3rd OT - AT	60	30
50.0 ~ 175.00	5th OT - AT	150	80
70.0 ~ 250.00	7th OT - AT	180	120

DIMENSIONS

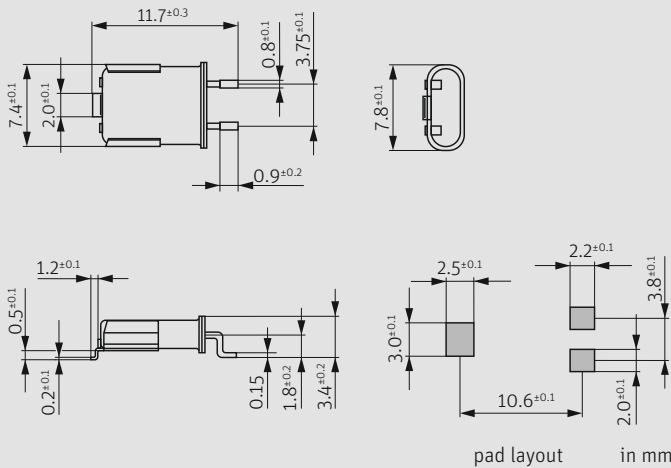


TABLE 1: FREQUENCY STABILITY VS. TEMPERATURE

	±3 ppm	±5 ppm	±10 ppm	±30 ppm	±50 ppm	±100 ppm
0 °C ~ +60 °C	○	○	○			
-20 °C ~ +70 °C	STD.	○	○	●		
-40 °C ~ +85 °C	T1		○	○	●	
-40 °C ~ +90 °C	T4			○	○	○
-40 °C ~ +105 °C	T2			○	○	○
-40 °C ~ +125 °C	T3					○

● standard ○ available

MARKING

frequency
company code / date code

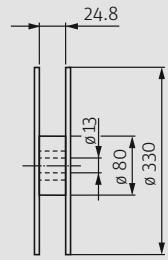
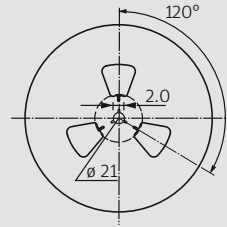
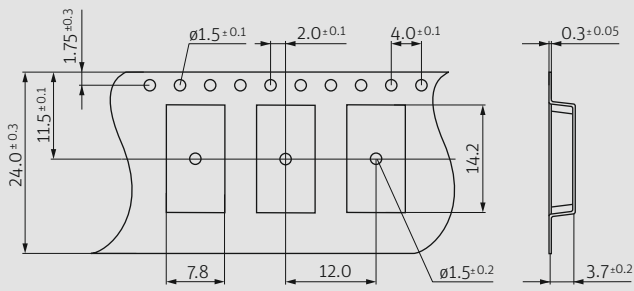
ORDER INFORMATION

Q	frequency	type	load capacitance in pF	tolerance at 25 °C	stability vs. temp. range	option	SMD version
Quartz	4.0 ~ 250.0 MHz	MQ1	12 pF ~ 32 pF S for series	±5 ppm ~ ±30 ppm	see table 1	blank = -20 °C ~ +70 °C T1 = -40 °C ~ +85 °C T2 = -40 °C ~ +105 °C T3 = -40 °C ~ +125 °C T4 = -40 °C ~ +90 °C FU = for fundamental frequencies ≥ 20 MHz 30T = 3rd overtone 50T = 5th overtone 70T = 7th overtone	SMC

Example: Q 30.0-MQ1-30-30/50-T1-FU-SMC-LF (Suffix LF = RoHS compliant / Pb free pins)

Quartz Crystal · MQ1-SMC

TAPING SPECIFICATION

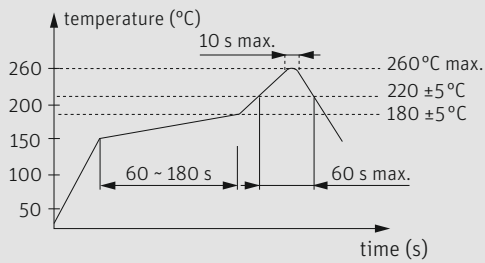


1000 pcs per reel

Direction of feed →

in mm

REFLOW SOLDERING PROFILE



note: parts are also suitable for soldering systems with lead (Pb) content