

# Lithium Coin Cell - CR 1220 SM



- Low self-discharge
- Long shelf life
- UN 38.3 tested
- Wide assortment of mounting options and wire terminals available



RoHS compliant



Pb free



REACH compliant



Conflict mineral free

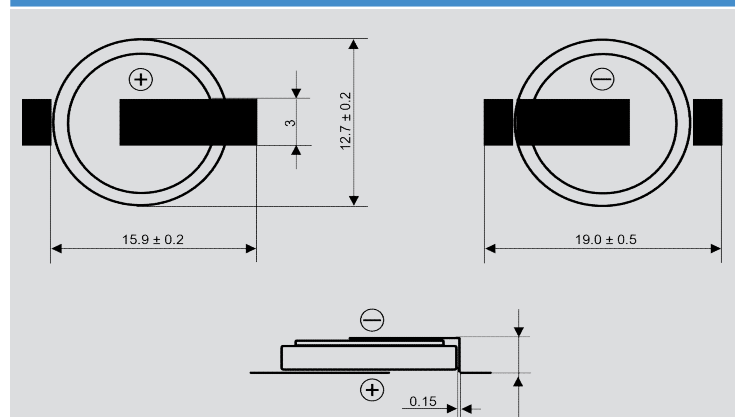
## SPECIFICATIONS

Jauch part number	252195
Nominal Voltage	3V
Nominal Capacity	40 mAh
Standard Load	62 kΩ
Standard Current	0.05 mA
Max. Continuous Current	0.5 mA
Max. Pulse Current	5 mA
Operating Temperature	-30°C to +85°C *
Weight	Approx. 0.75 g
Chemistry	Li/MnO <sub>2</sub>

Note: Lithium batteries are not suitable for reflow soldering processes

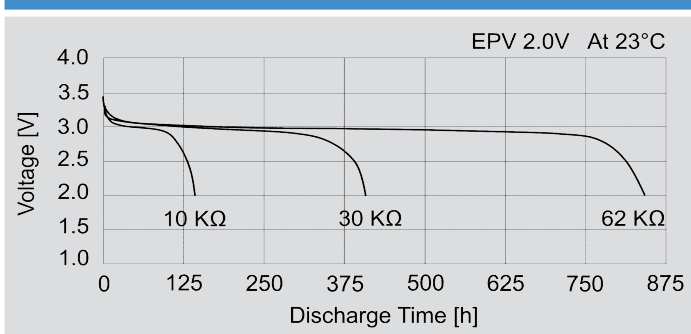
Note: Capacity 40 mAh is obtained at standard cc load to 2.0V at 23°C.

## DIMENSIONS [mm]

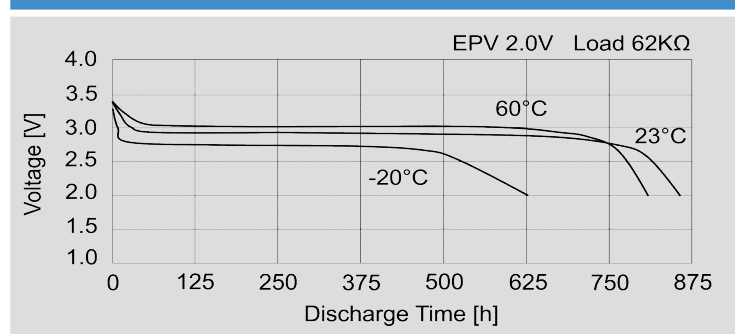


\* In applications where the battery is exposed to temperatures >60°C, please contact Jauch.

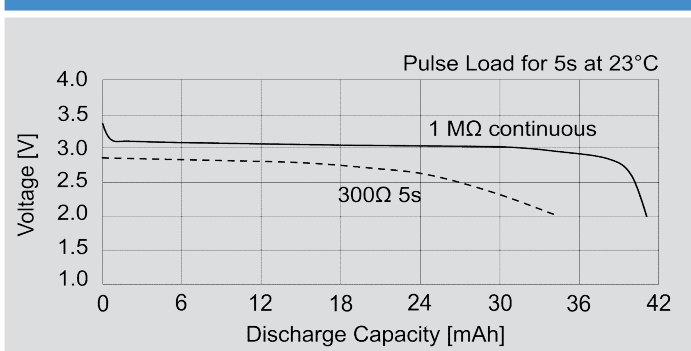
## DISCHARGE CHARACTERISTICS



## TEMPERATURE CHARACTERISTICS



## DISCHARGE CHARACTERISTICS



## LOAD VS: CAPACITY

