

## 代码编制规则 Part Number

1	2	3	4	5	6	7	8	9	10	11	12	13	14	15	16	17	18
F	C	S	2	K	D	M	2	5	8	K	A	0	1	9	0	8	1
电容器类型 Capacitor Type	产品外形 Product Shape	额定电压代码 Rated Voltage Code	系列代码 Series Code		容量代码 Capacitance Code		容量偏差 Capacitance Tolerance		尺寸特征码 Dimension characteristic code			端子规格 Terminal specification		端子间距 Terminal spacing		安装孔 Mounting hole	
FC=薄膜电容器 FC=Film Capacitor	方形=S Square=S	600=2S	CBB133=DM		1500=158	±5%=J	A001			Female M6=0		80=8		有=1 With=1			
		700=2Q			2500=258	±10%=K	A002			Male M6=1		160=A		无=0 Without=0			
		750=Q3			2800=288	Special=S	A003			Female M8=2		100=B					
		800=2K			3800=388		A019			Male M8=3		72=7					
		880=2R								Male M12=7		120=E					
		900=R2										22=2					
		1000=3A															
		1100=A3															
		3000=3F															

## Features

- PP film design, good temperature characteristics
- Stable capacity
- Low ESR, high ripple current handling capabilities
- Self-healing property
- Metal case, filled with fire-retardant resin

## 特点

- 采用聚丙烯薄膜，温度特性好
- 容值稳定，变化率小
- 等效串联电阻小，能承受较大的纹波电流
- 有自愈性
- 金属外壳，阻燃树脂灌封

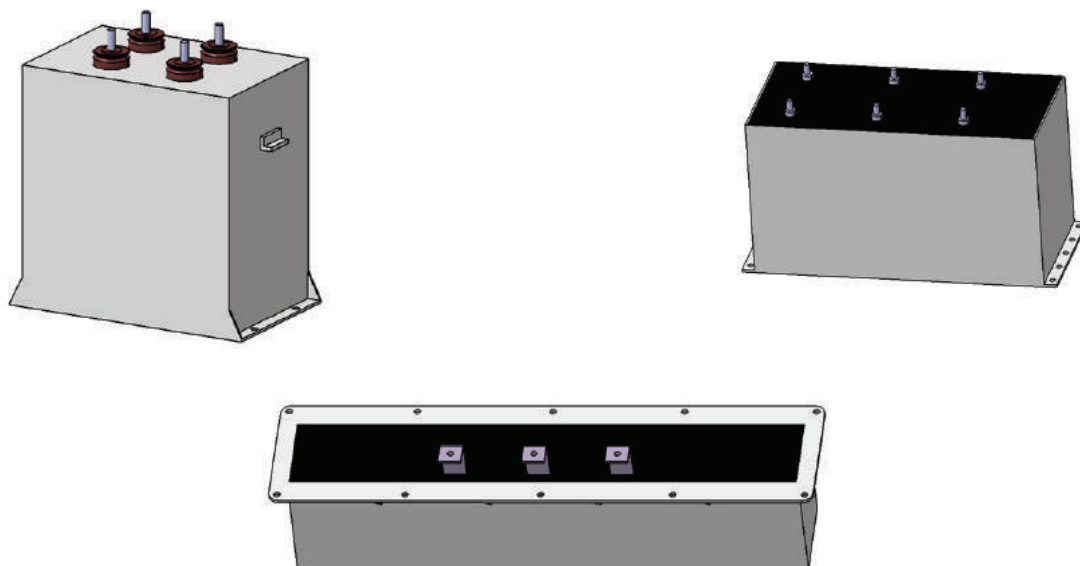
## Applications

- Transportation: Rail transportation
- High-voltage inverter

## 应用场合

- 交通工具，如：轨道交通
- 高压变频器

## 外形图 Dimensions



## 标识 Marking

	—	1
CBB133	—	2
2500 $\mu$ F $\pm$ 10%	—	3
$U_R=800$ VDC SH	—	4
$U_{TC}=3000$ V 50/60Hz	—	5
-40~+85 $^{\circ}$ C IEC61071	—	6
Discharge before handling	—	7
J35F23104	—	8

NO.	项目 Item
1	商标 Brand
2	产品系列 Products series
3	容量和偏差 Capacitance and Tolerance
4	额定电压和自愈性 Rated voltage and Self-healing property
5	端子与铝壳电压 $U_{TC}$ Voltage Between Terminals and Case
6	温度范围 Temperature Range 引用标准 Reference Standard
7	安全警示 Safety Warning
8	年度标记 Year code 二维码 QR Code

## 性能特性 Specifications

项目 Item	特性 Characteristics
引用标准 Reference Standard	GB/T 17702 (IEC 61071)
气候类别 Climatic Category	40/85/56
工作温度范围 Operating Temperature Range	-40~+85°C ( $\theta_{\text{hotspot}} \leq 85^\circ\text{C}$ )
存储温度范围 Storage Temperature Range	-40~+85°C
额定电压 $U_R$ Rated Voltage	1000~3000V <sub>DC</sub>
电容量范围 Capacitance Range	500~4000 $\mu\text{F}$
电容量偏差 Capacitance Tolerance	$\pm 5\%$ (J), $\pm 10\%$ (K)
端子与端子电压 $U_T$ Voltage Between Terminals	$1.5 \times U_R V_{DC}$ , 10s (20°C)
端子与铝壳电压 $U_{TC}$ Voltage Between Terminals and Case	$2 \times U_T + 1000$ or $3000V_{AC}$ 取大者, 10s (20°C, 50Hz)
介质损耗角正切 Dielectric Dissipation Factor	$\leq 2 \times 10^{-4}$
绝缘电阻 Insulation Resistance	$\geq 5000M\Omega \cdot \mu\text{F}$ (20°C, 100V <sub>DC</sub> , 1min)
过电压 Over Voltage	$1.1U_R$ (30% of on-load-duration)
	$1.15U_R$ (30 min/day)
	$1.2U_R$ (5 min/day)
	$1.3U_R$ (1 min/day)
	$1.5U_R$ (30 ms every time, 100ms/day)
预期寿命 Life Expectancy	100000 hours ( $U_R, \theta_{\text{hotspot}} = 70^\circ\text{C}$ )
失效率 Failure Rate	100 FIT

## 规格标准 Standard Ratings

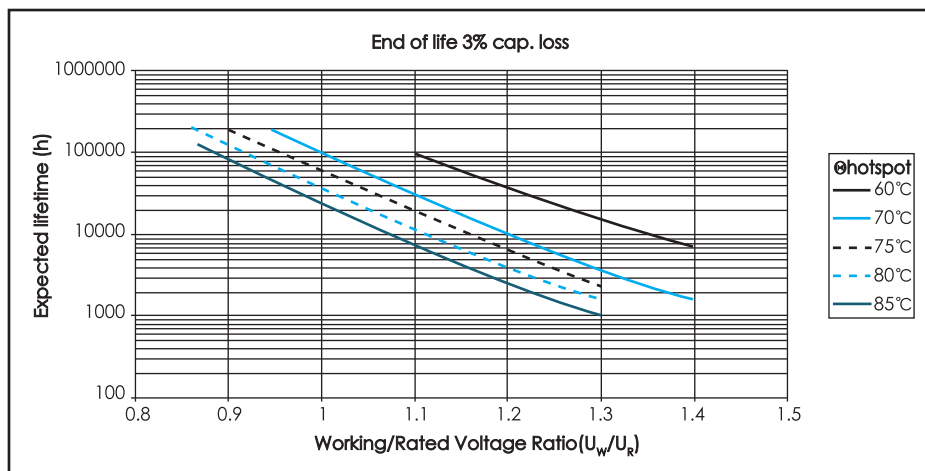
$U_R$	$C_R$	P/N	$I_{\text{max}}(\text{A})$	$\hat{i}$	$R_s$	$L_s$	W	H	T	图号
(V)	( $\mu\text{F}$ )	-	60°C	(A)	(m $\Omega$ )	(nH)	(mm)	(mm)	(mm)	-
750	2800	FCSQ3DM288KA053871	80	2200	0.8	80	240	103	125	1
	3800	FCSQ3DM388KA039081	80	3800	0.6	80	490	110	84	2
800	2500	FCS2KDM258KA019081	250	3500	0.6	50	190	195	170	3
	2500	FCS2KDM258KB098021	300	3500	0.4	40	402	116	110	4
3000	1500	FCS3FDM158JA0137E1	150	4000	1.0	100	340	360	230	5

根据客户要求定制。Customer products are available on request.

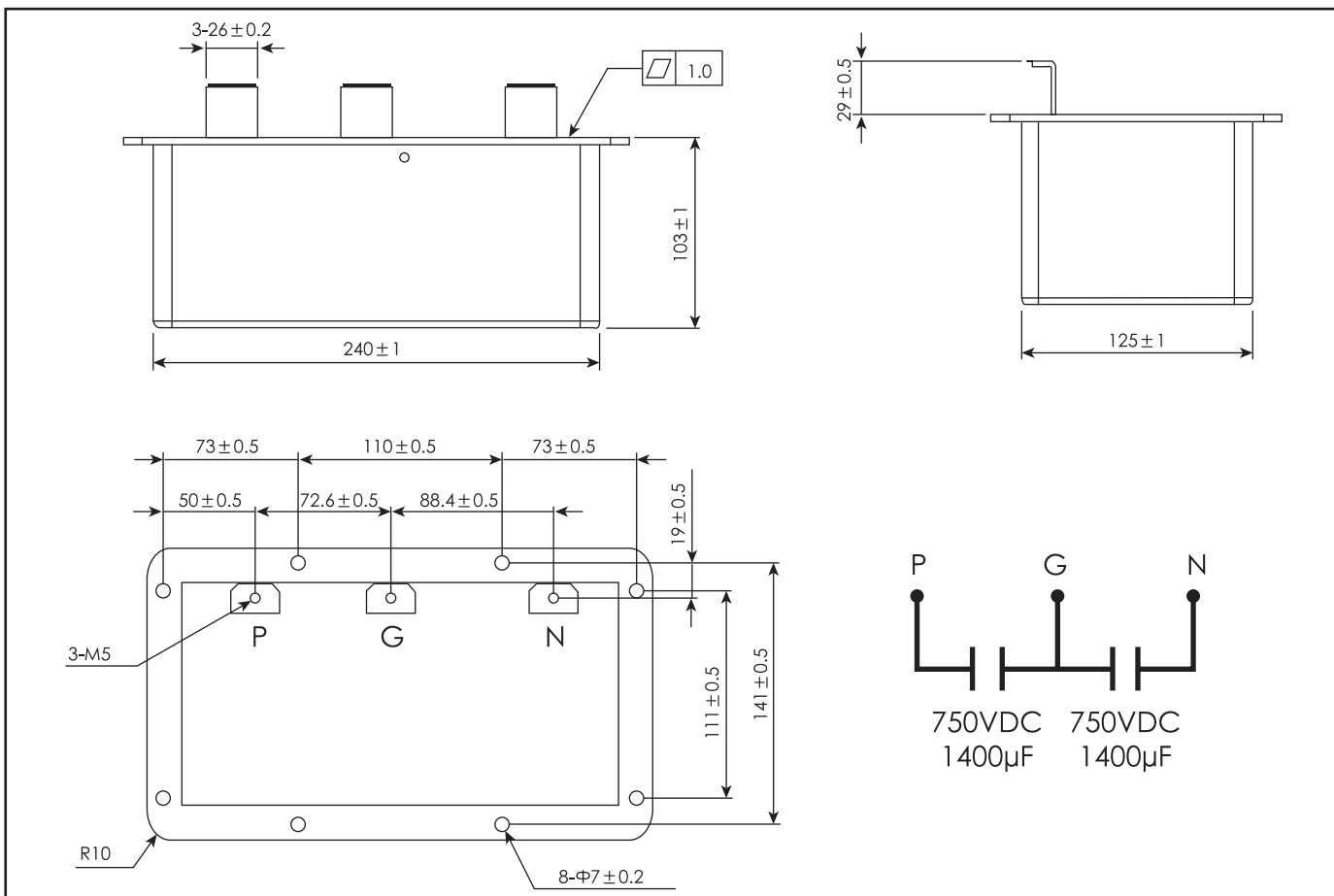
注：详细的产品说明和外形尺寸图，请索取产品规格书

Note: For detail description and outline drawing of product, please see the specifications.

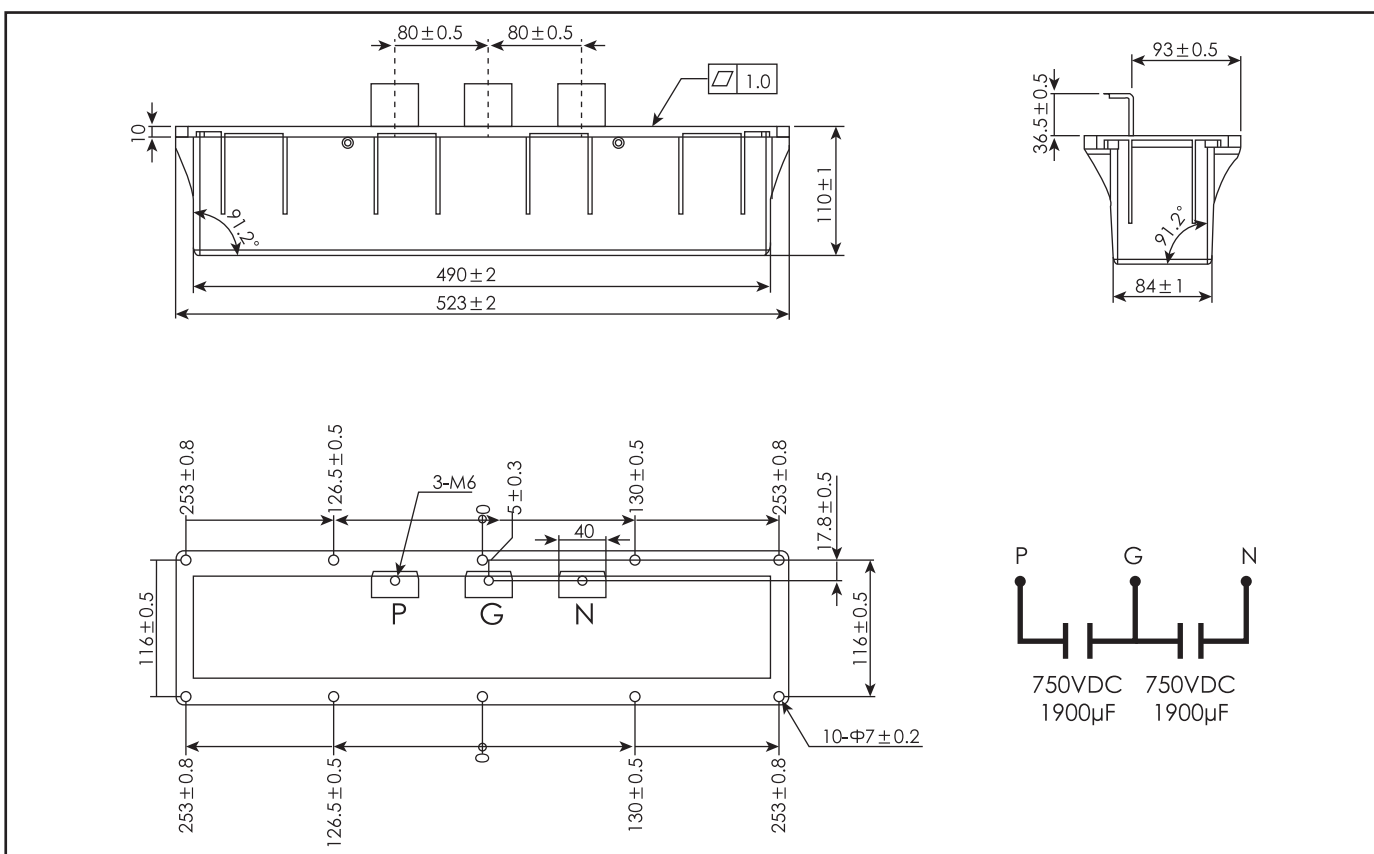
## 预期寿命曲线 Expected lifetime curve



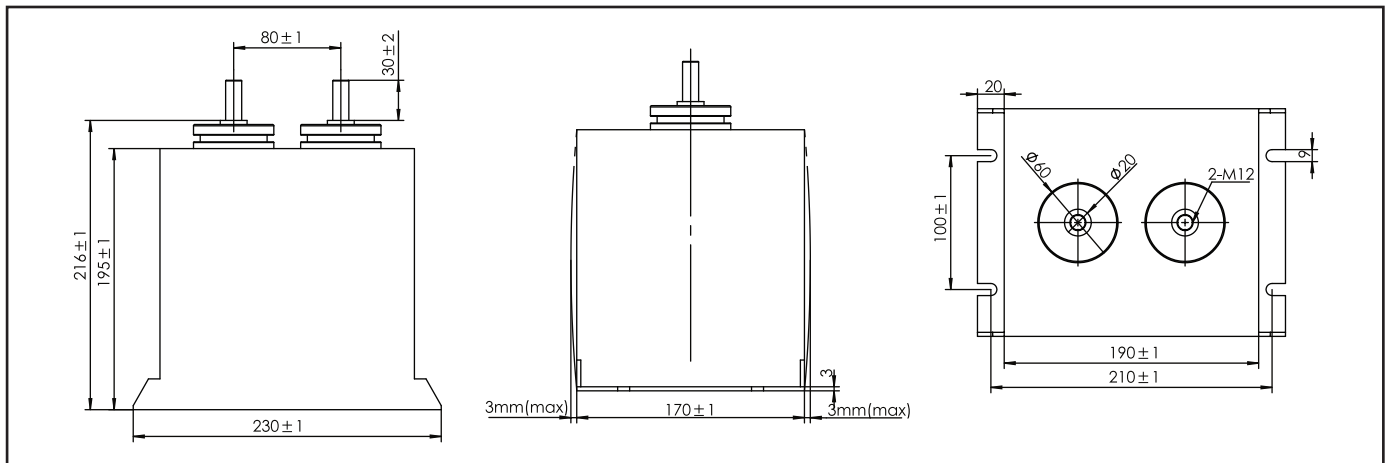
图一 Style 1



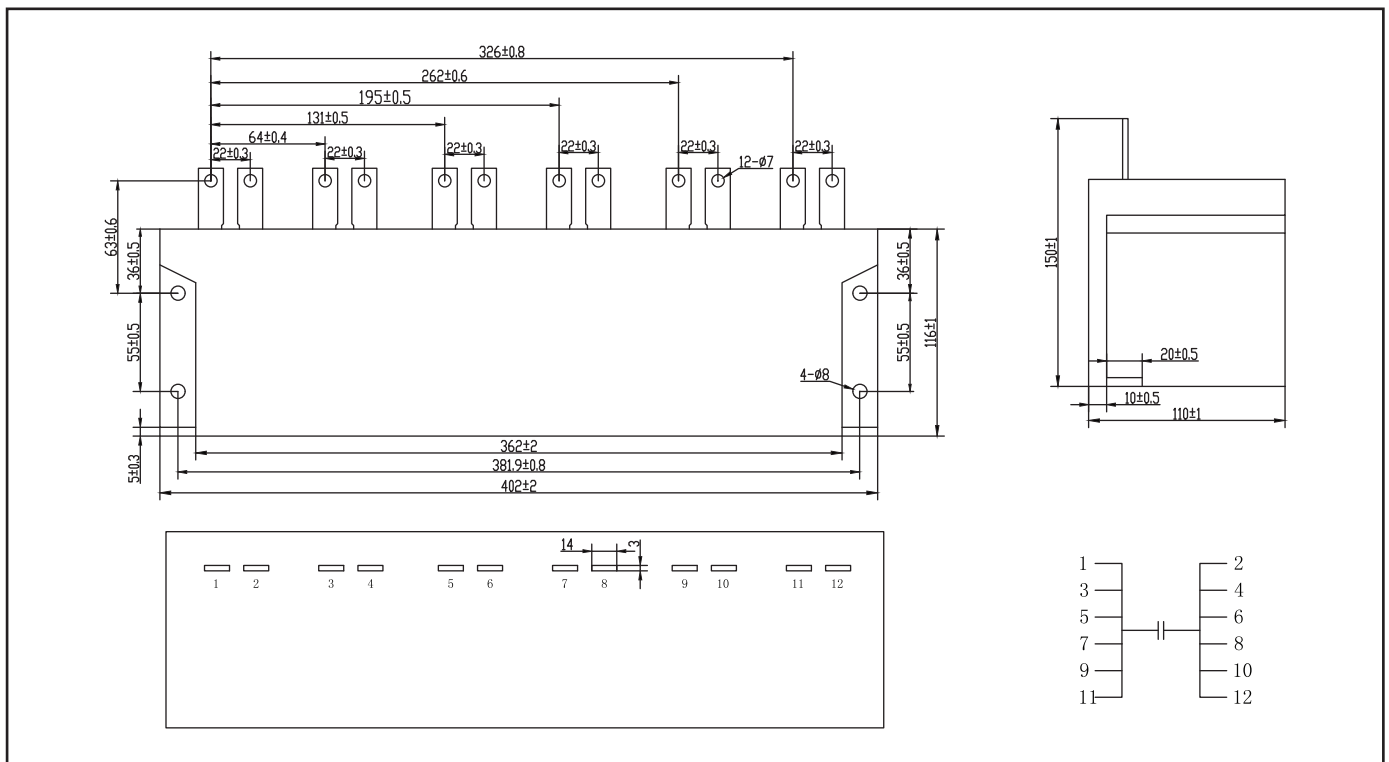
图二 Style 2



图三 Style 3



图四 Style 4



图五 Style 5

