



Lithium Primary - CR 2/3A

- Reliable energy for your application
- Standard cells and customized packs
- ESD protection
- UL recognized
- Battery Certification Experts



RoHS compliant Pb free



REACH compliant



Conflict mineral free

Technical Data Sheet · CR 2/3 A

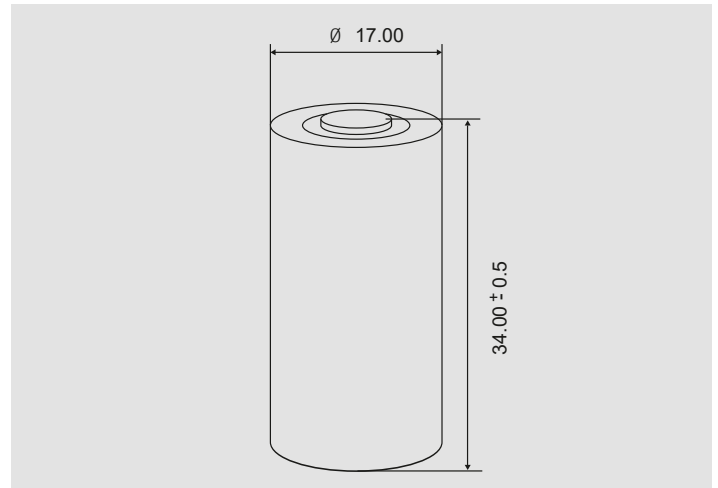
SPECIFICATIONS

Nominal Voltage	3V
Jauch part number	250761
Nominal Capacity	1600 mAh*
Continuous Standard Load	2.5 mA
Max. Continuous Discharge	1000 mA
Max. Pulse Current	2000 mA
Operating Temperature	-40°C to +70°C**
Weight	Approx. 17.0g
Chemistry	Li/MnO ₂
UI1642	MH62838

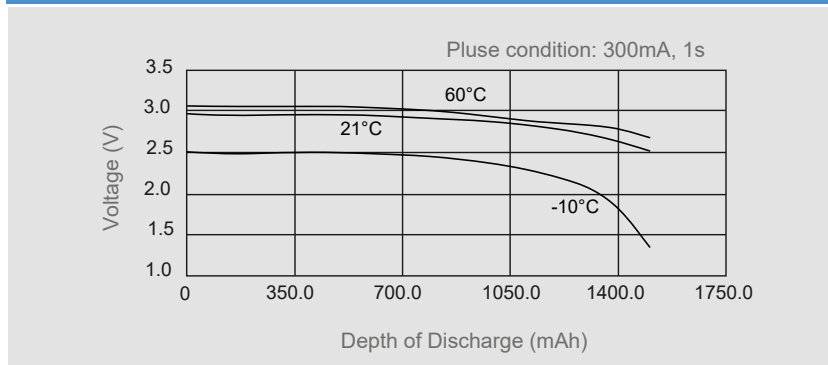
*Constant discharge 2,5mA to 2V

**Please contact Jauch for use below and above -10°C to +40°C

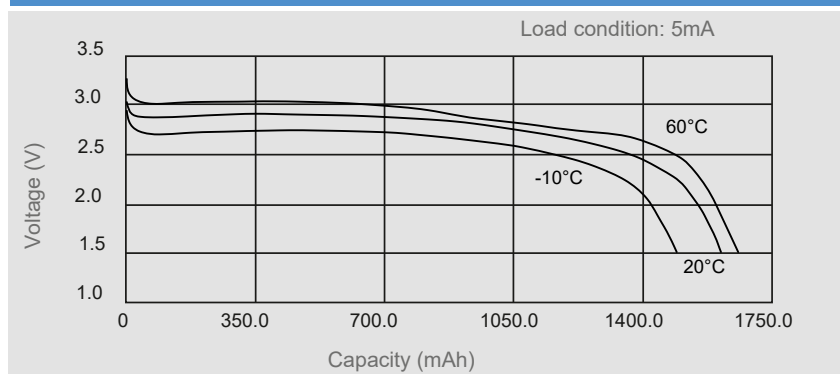
DIMENSIONS (mm)



PULSE DISCHARGE CHARACTERISTICS



DISCHARGE CHARACTERISTICS BY TEMPERATURE



Wide assortment of mounting options, including through hole, surface mount and wire terminals. Contact Jauch for more information
batterytechnology@jauch.com