



Lithium Primary - CR 1/2 AA

- Reliable energy for your application
- Standard cells and customized packs
- ESD protection
- UL recognized
- Battery Certification Experts



RoHS compliant Pb free



REACH compliant



Conflict mineral free

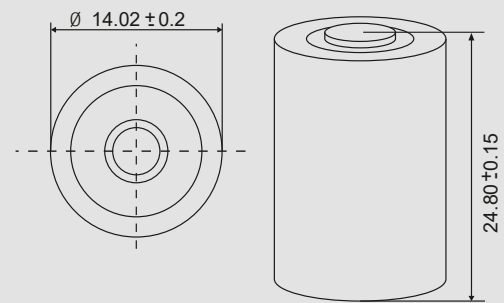
Technical Data Sheet · CR 1/2 AA

SPECIFICATIONS

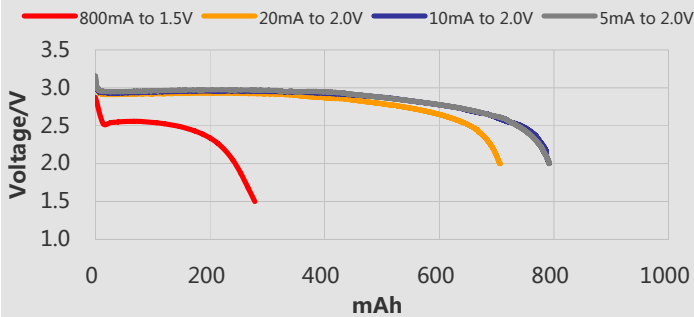
Nominal Voltage	3V
Jauch part number	248790
Nominal Capacity	850 mAh
Continuous Standard Load	1 mA
Max. Continuous Discharge	800 mA
Max. Pulse Current	1500 mA
Operating Temperature	-40°C to +70°C*
Weight	Approx. 9.0g
Chemistry	Li/MnO ₂

* In applications where the battery is exposed to temperatures >60°C, please contact Jauch.

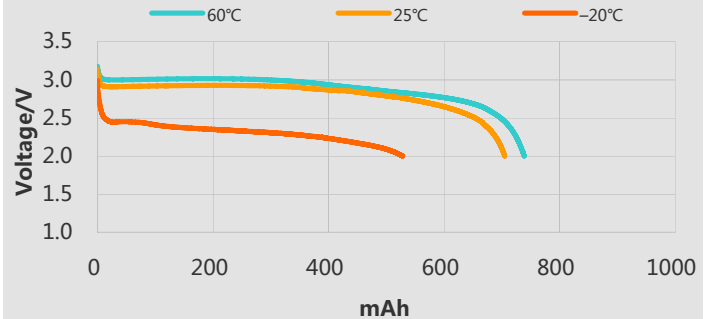
DIMENSIONS (mm)



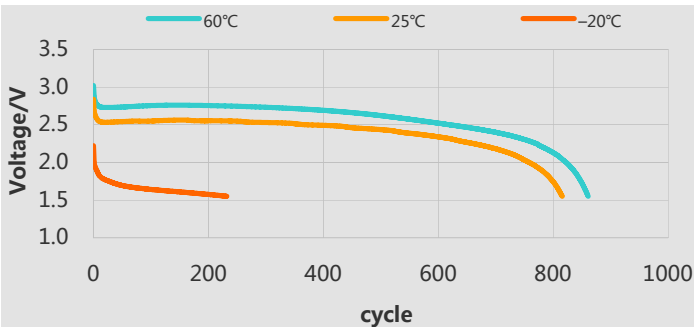
DISCHARGE CHARACTERISTICS (25°C)



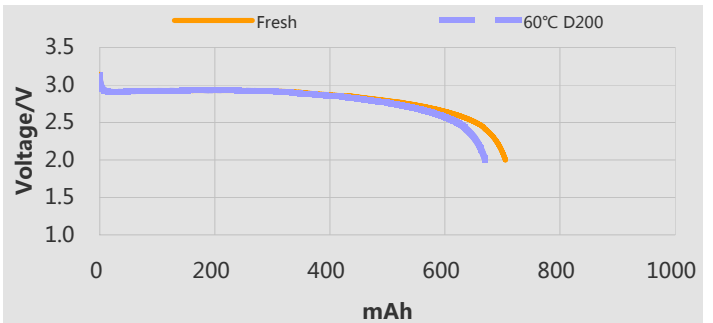
DISCHARGE CHARACTERISTICS (20mA to 2.0V)



PULSE DISCHARGE CHARACTERISTICS (0.9A 3sec.on/27sec.off)



DISCHARGE CHARACTERISTICS (20mA to 2.0V)



Wide assortment of mounting options, including through hole, surface mount and wire terminals. Contact Jauch for more information
batterytechnology@jauch.com